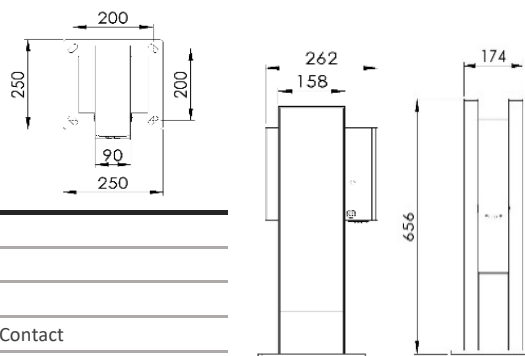


### Bollard FOLLOW S



#### PANNEAU PHOTOVOLTAÏQUE

Photovoltaic Module	2
Nominal Power (Wp)	34 Wp
Cell Technology	Monocrystalline
Cell Type	Sunpower Back Contact
Lifespan	> 25 ans
PV Surface Area	791 cm <sup>2</sup> per Photovoltaic Module
Material and Finish	ETFE - Anti Abrasion - Anti Graffiti - Anti Vandalisme

#### BATTERY

Chemistry	LiFePO4 (Lithium Iron Phosphate)
Nominal Voltage	9,6 V
Capacity	7,7 Ah
Energy	76,8 Wh
Charge Cycles	8000 cycles at 55% DOD
Waterproofing	Battery and board are waterproof and submersible
Lifetime	15 years

#### LUMINAIRE

Nominal Power & Luminous Efficacy	5 W – 170 lm/W @ 3000K
Color Temperature	Amber – 2200K – 2700K – 3000K
Photometric Distribution	Type I – Ultra wide
CRI	≥70
Luminaire Material	Powder-coated aluminum profile
Optical Material	Polycarbonate
Protection Rating (IP) – (IK)	IP66 – IK10
Dual Functionality	Lighting and RGB Marking
ULR	0

#### LIGHTING PROFILE

Lighting Profile	Adaptable throughout the night
------------------	--------------------------------

#### STRUCTURE

Dimensions (mm)	174 x 158 x 654 mm
Frame Material	Extruded aluminum EN AW 6060 T6
Base Plate Material	Galvanized Steel S235
Weight	15 kg
Shock Resistance Index (IK)	IK10
Recommended Foundation Size (mm)	300*300*400 mm
Anchor Rod Dimensions	M14
Base Plate Dimensions (mm)	250 x 250 mm
Mounting Hole Spacing (mm)	200 mm
Painting	Polyester powder coating finish - QualiCoat Class 2 High durability

#### GENERAL

Minimum Autonomy	365 nights per year
Functionality	Bluetooth
Fasteners	Stainless Steel A2 – Tamper-proof
Presence Sensor	PIR (Infrared) – Optimal 180° detection